

“PAD”

Electronic control for towel radiators

The PAD is a small reliable heating control system available for towel radiators.

The device is safe and reliable thanks to a comprehensive internal protection of the heating element against overheating or dry run.

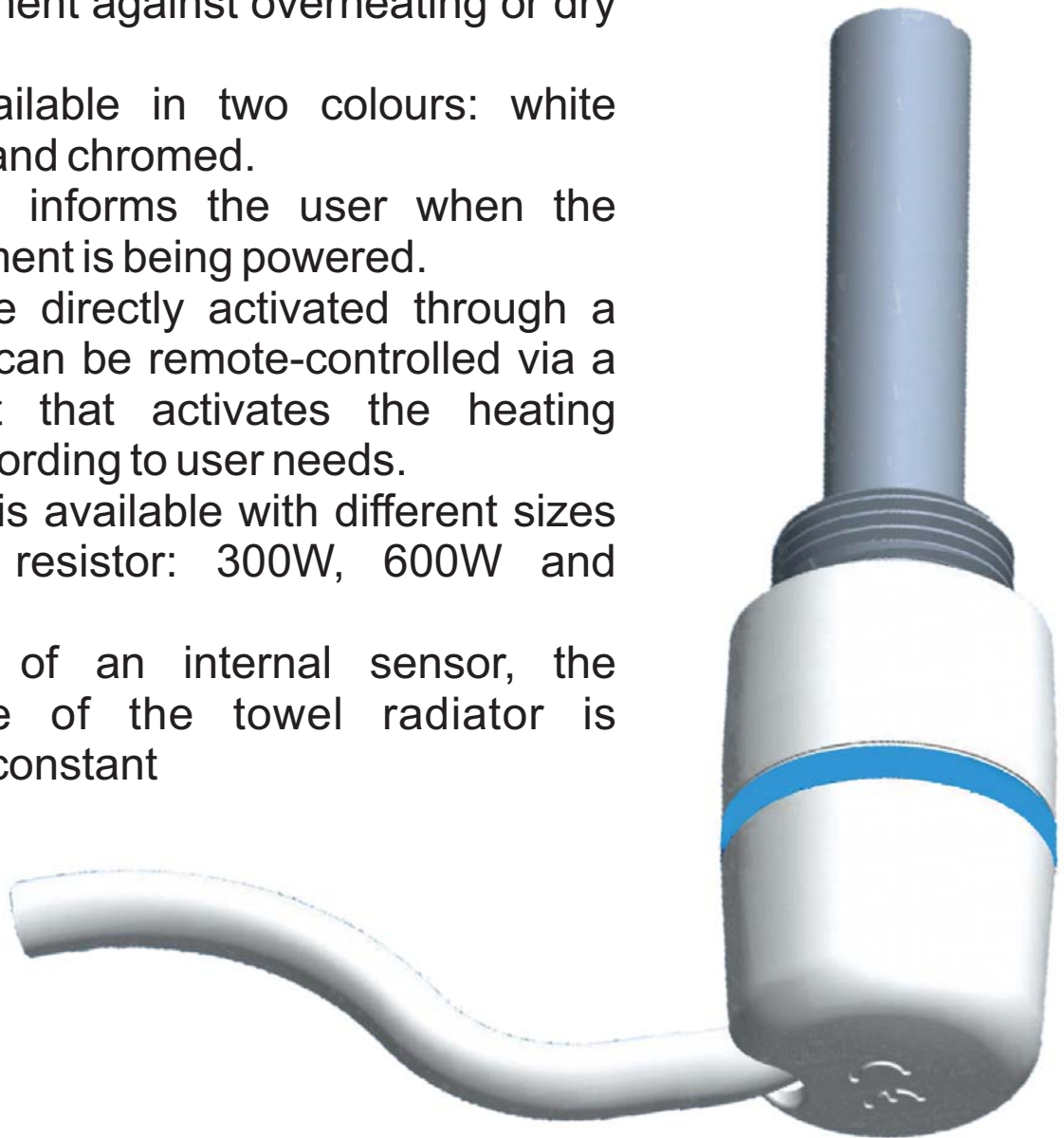
PAD is available in two colours: white (RAL9016) and chromed.

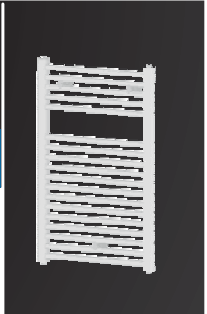
A light ring informs the user when the heating element is being powered.

PAD can be directly activated through a switch or it can be remote-controlled via a control unit that activates the heating element according to user needs.

The device is available with different sizes of electric resistor: 300W, 600W and 1000W.

By means of an internal sensor, the temperature of the towel radiator is maintained constant





“PAD”

Electronic control for towel radiators

Technical characteristics

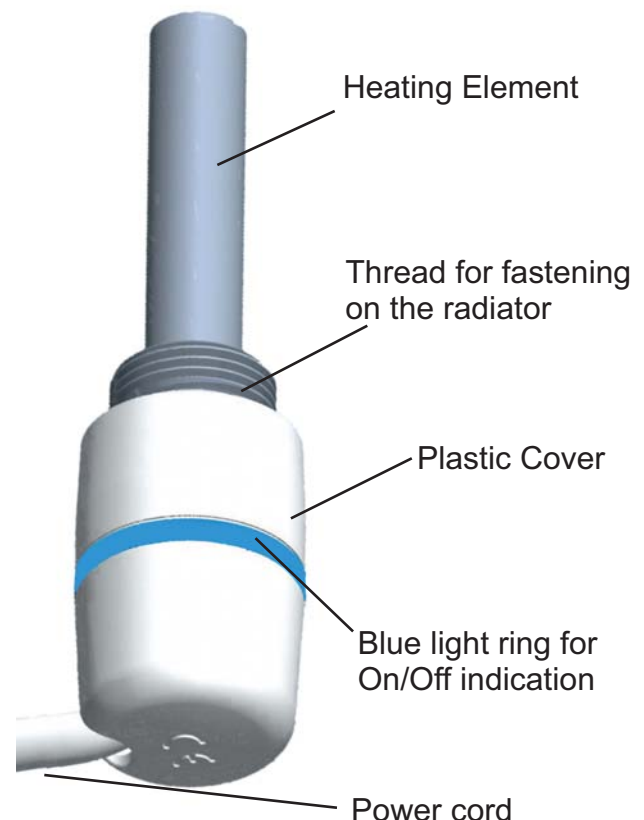
Product	Electronic control for towel radiators
Applications	Towel radiators
Insulation class	Class I
IP level	IP64
Maximum power	See table below
Supply voltage	230VAC 50Hz
Warranty	2 years
Certification mark	CE
Case	ABS-VO
Environmental directives	WEEE, RoHS
Electromagnetic compatibility	89/336/EEC
Status light indications	On/Off BLUE light ring indicator
Connection to mains	3 Cables (Neutral, Earth, Line)
Available colours	White (RAL 9016); Chromed.
Maximum temp. of the thermal fuse	152°C

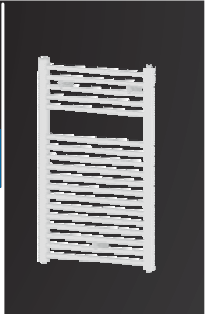
Power	(W)	300	600	1000
Temperature Limit	°C	90	90	100

Notes for the use :

The device is controlled externally. It is necessary to insert a switch or a control unit between the heating element and the safety devices.

The manufacturer reserves the right to make any changes to the product aimed at improving the device described in this manual, at any time, and without prior warning.





“PAD”

Electronic control for towel radiators

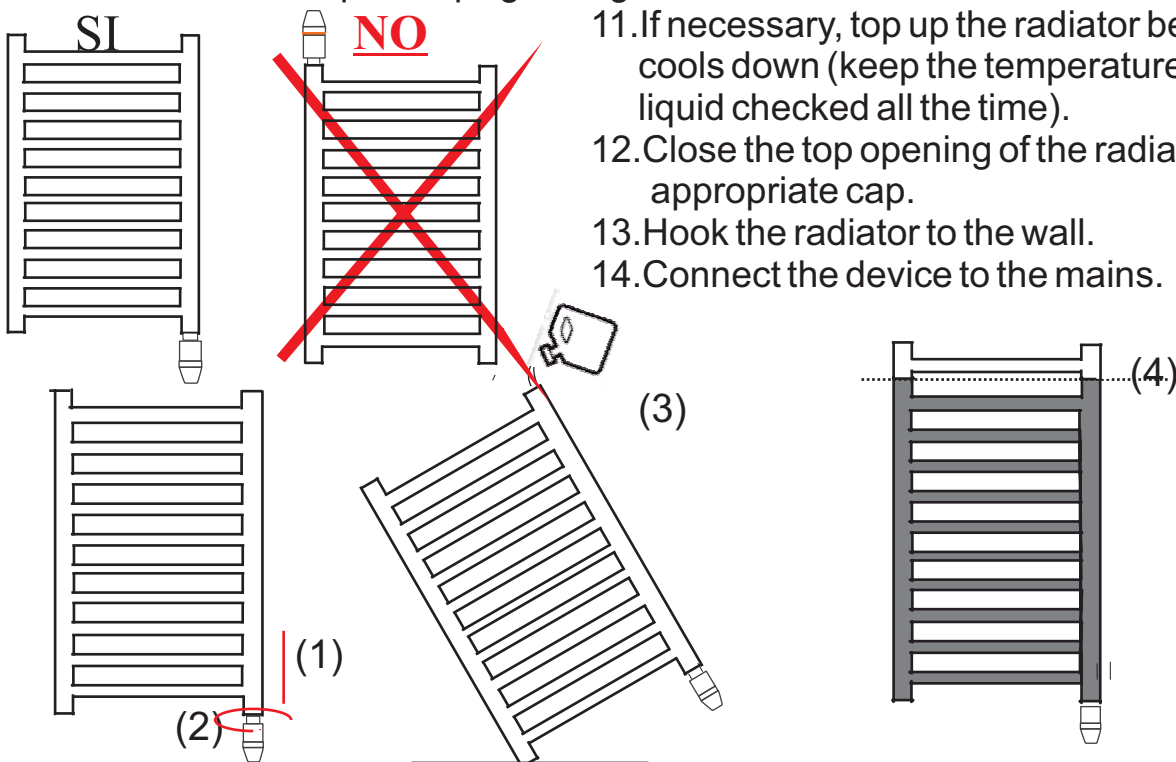
Installation Guide

To be used by installer

- Disconnect the device from power supply before proceeding with installation.
- Protect the device with a 30mA RCD circuit breaker.

1. Lower the plastic cover at the base of the heating element, insert the heating element in the threaded opening located on the bottom part of the radiator.
2. Securely fasten the electric resistance to the body of the towel radiator with a 22mm wrench.
3. Raise the plastic cover to cover the fixing area.
4. Tilt the radiator as in fig. 3, making sure that the opening on top of the radiator is located on the highest side. **WARNING.** Do not lean the radiator on the electronic control!
5. Fill the radiator with the specific liquid.
6. Put the radiator back in vertical position and check the internal level of the liquid (fig. 4).
7. Ensure a proper fastening of the heating element in the radiator.
8. Connect the device to mains and start heating (the top opening of the radiator must remain open!).
9. Set the maximal temperature and check the level of the internal liquid.
 - Due to thermal expansion the liquid could brim over the radiator.
 - Remove the exceeding liquid (be careful to avoid burns!) in order to keep the thermostat dry and avoid the liquid reaching the border.
10. When the level of the liquid stops growing wait for additional 5 minutes then stop heating.

11. If necessary, top up the radiator before the liquid cools down (keep the temperature of the internal liquid checked all the time).
12. Close the top opening of the radiator with the appropriate cap.
13. Hook the radiator to the wall.
14. Connect the device to the mains.





“PAD”

Electronic control for towel radiators

Accessory

Accessory 1 : To allow a mixed usage of the SMART device, connect the T-piece to the towel radiator, insert the Pad device into the vertical manifold of the T-piece and connect the return line of the heating circuit to the orthogonal connector of the T-piece.



Available Colors: White, Chrome.



DISPOSAL

This product may not be treated as ordinary household waste. It has to be disposed in proper waste collection sites. In case of replacement it shall be returned to Towelrads.

Such an end-of-life treatment of the product will preserve the environment and will reduce consumption of natural resources.

This symbol applied to the present product indicates the obligation to bring it to a proper waste collection site, in order to let it be disposed according to 2002/96 / CE (RAEE - WEEE) directives.